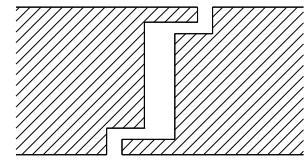
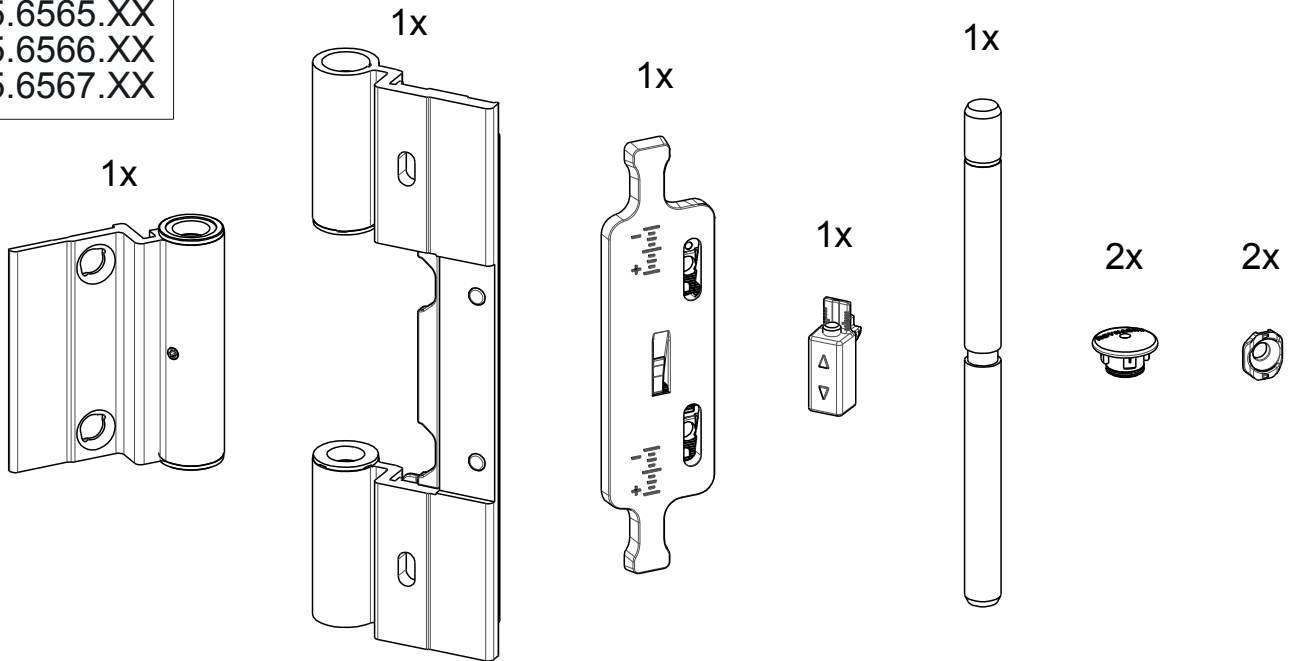


SCHARNIER VOOR VLAKKE DEUREN
CHARNIÈRE POUR PORTES À RAS
HINGE FOR FLUSH DOORS
BAND FÜR FLACHE TÜREN



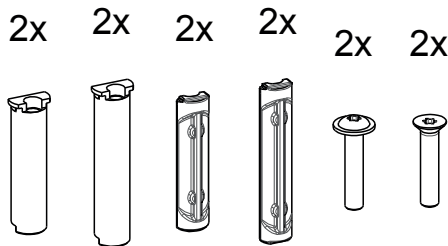
DEURSCHARNIER - CHARNIÈRE DE PORTE - DOOR HINGE - TÜRBAND

065.6565.XX
065.6566.XX
065.6567.XX

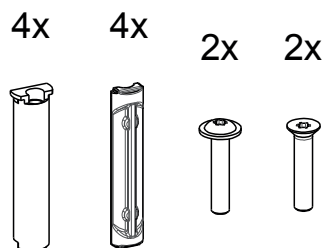


BEVESTIGINGSSET - SET DE FIXATION - FIXATION SET - BEFESTIGUNGSSATZ

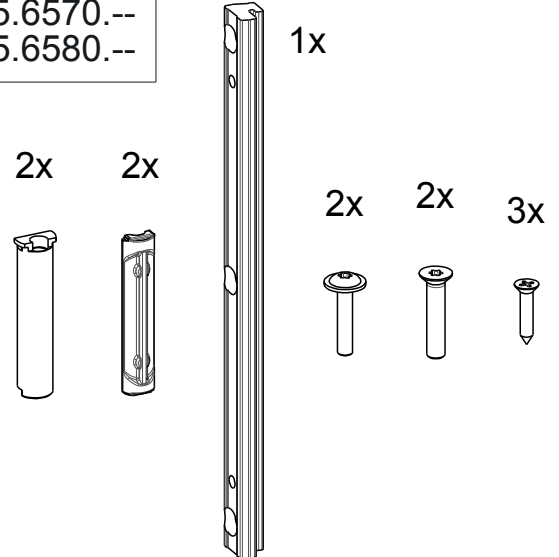
065.6568.--
065.6569.--
065.6571.--
065.6574.--
065.6578.--



065.6572.--
065.6573.--
065.6579.--



065.6570.--
065.6580.--



GEREEDSCHAP
OUTILS
TOOLS
GERÄT



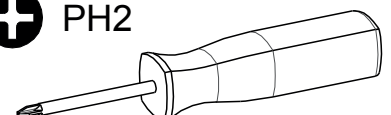
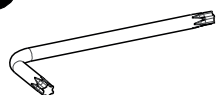
T25

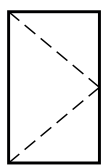


T10

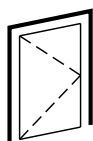


PH2

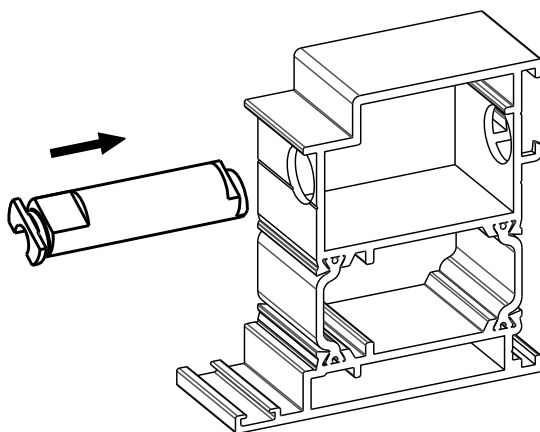




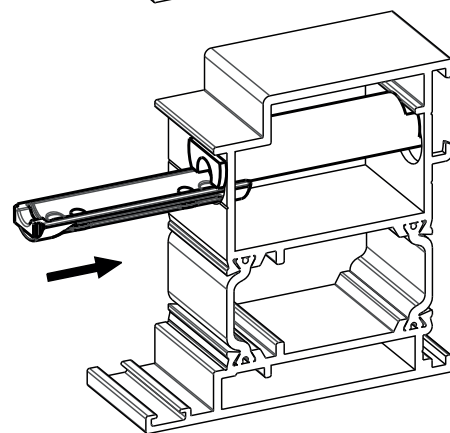
065.6568.--
065.6572.--
065.6574.--
065.6578.--
065.6579.--



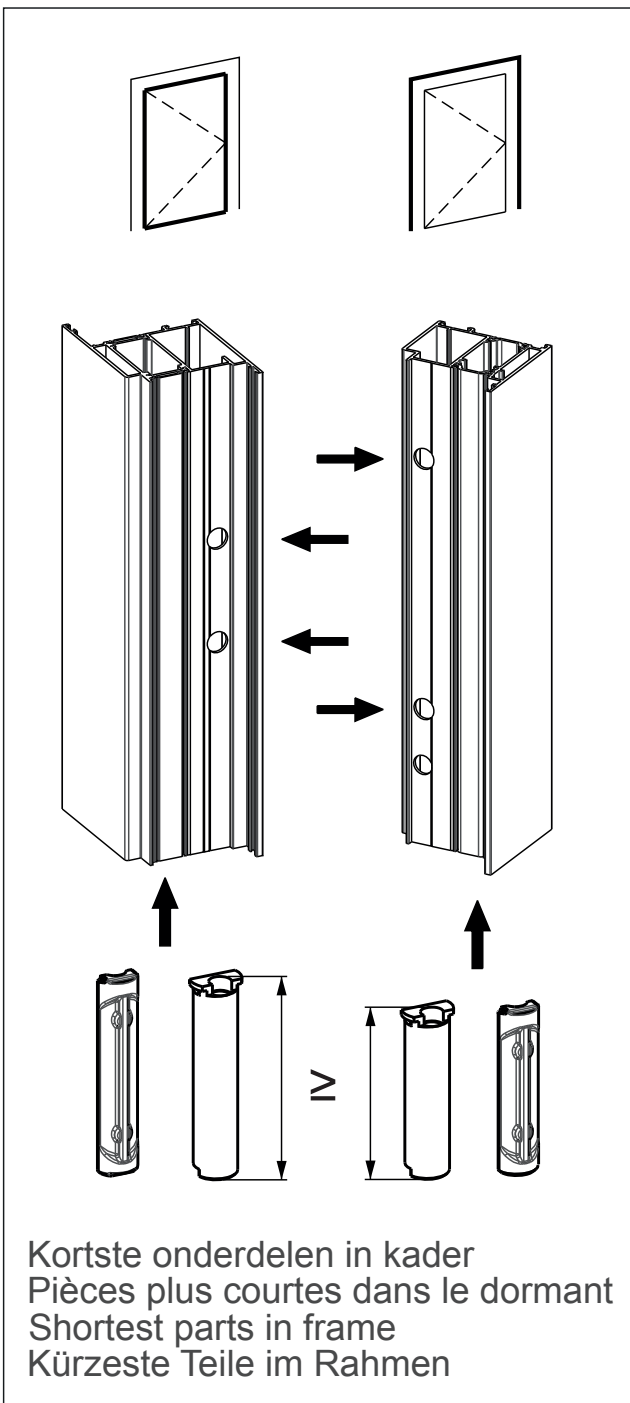
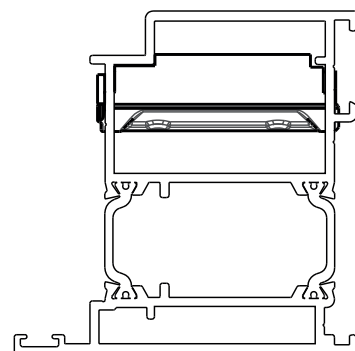
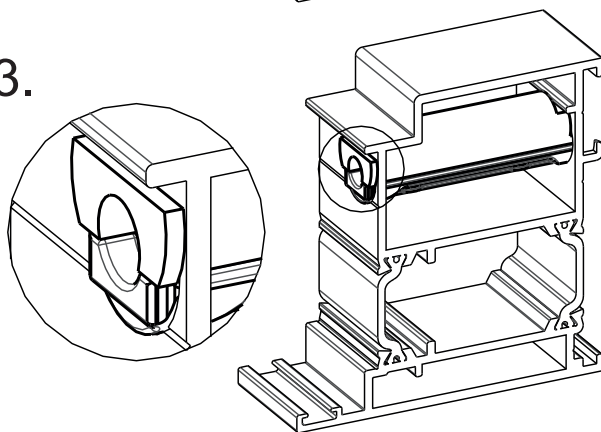
1.



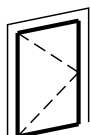
2.



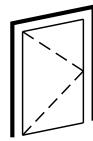
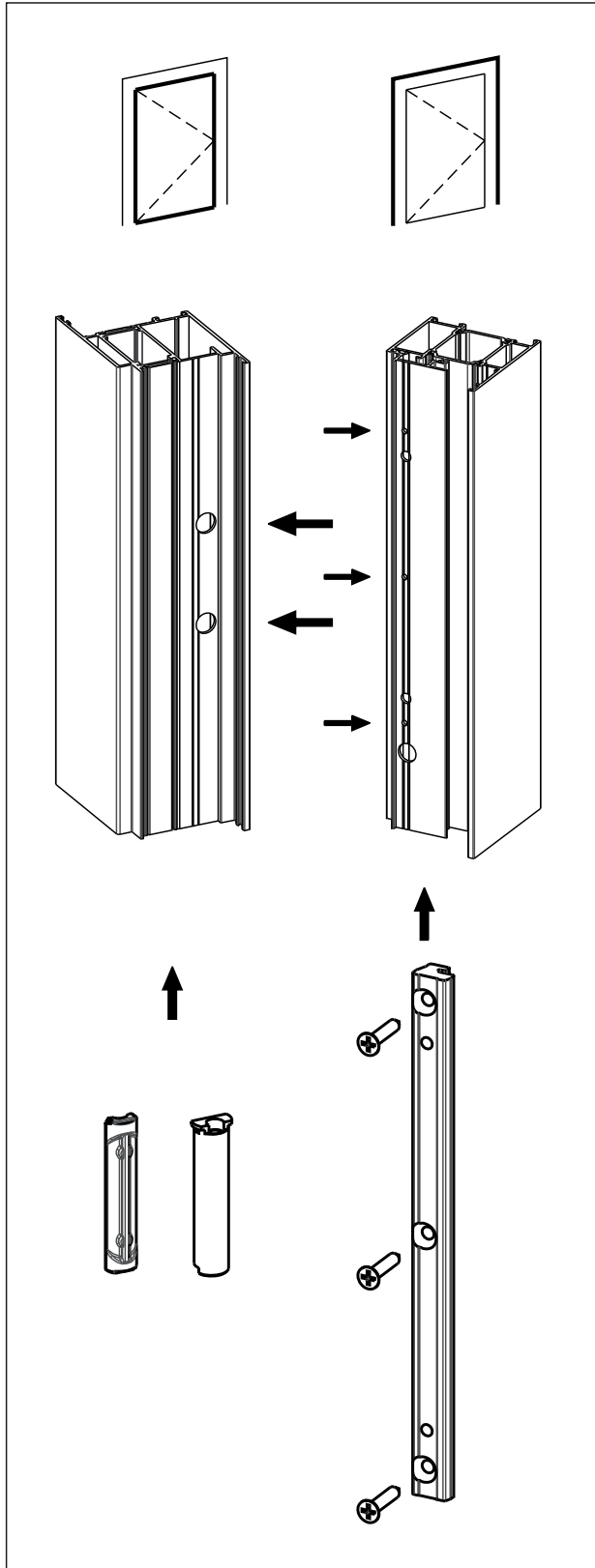
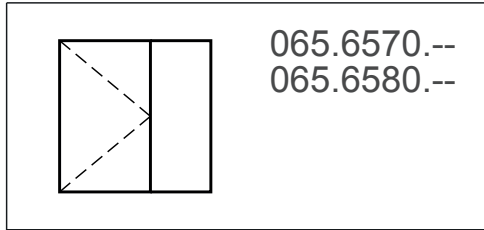
3.



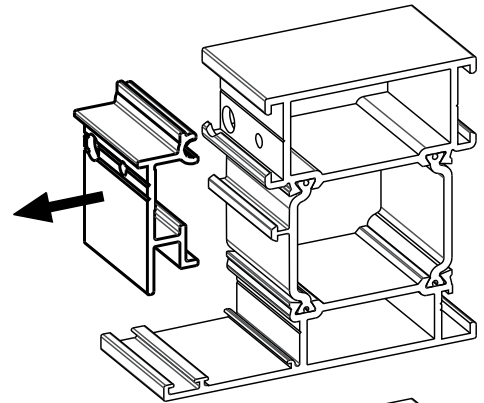
Kortste onderdelen in kader
Pièces plus courtes dans le dormant
Shortest parts in frame
Kürzeste Teile im Rahmen



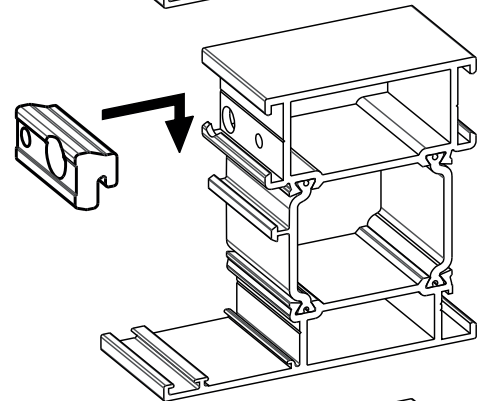
Vleugel: zelfde montage
Vantail: même montage
Vent: same assembly
Flügel: gleiche Montage





1.

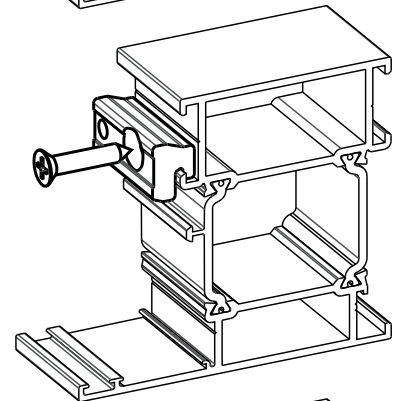


2.

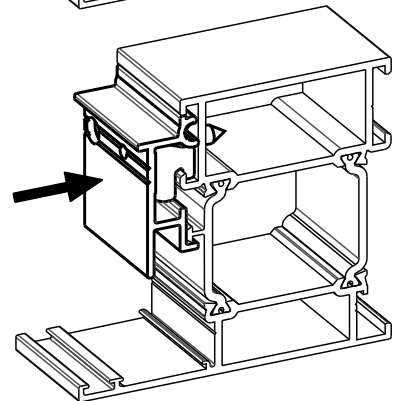


3.

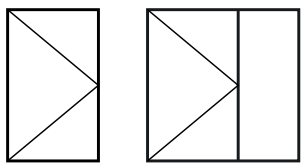


 max 3Nm PH2



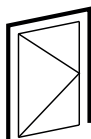
4.



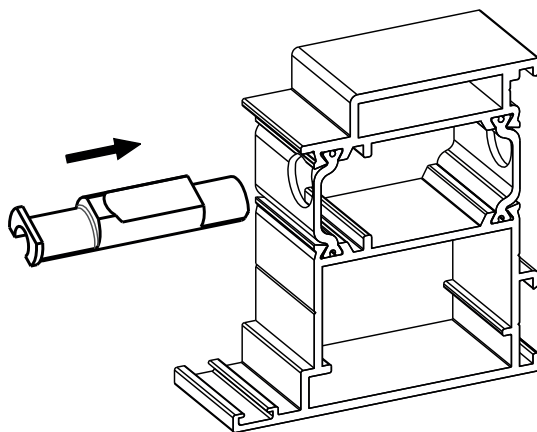
Vleugel: zelfde montage als op pagina 2
 Vantail: même montage qu'à la page 2
 Vent: same assembly as on page 2
 Flügel: gleiche Montage wie auf Seite 2



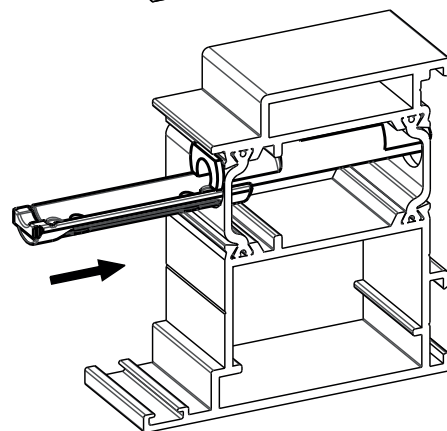
065.6569.--
065.6571.--
065.6573.--



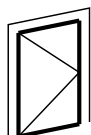
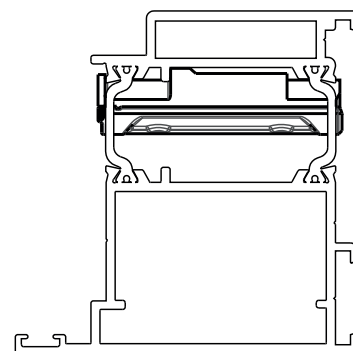
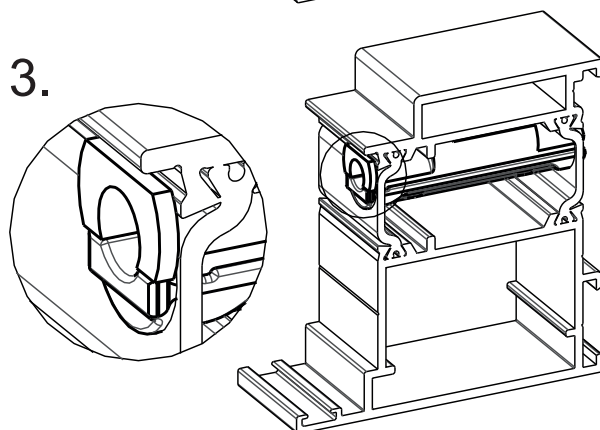
1.



2.



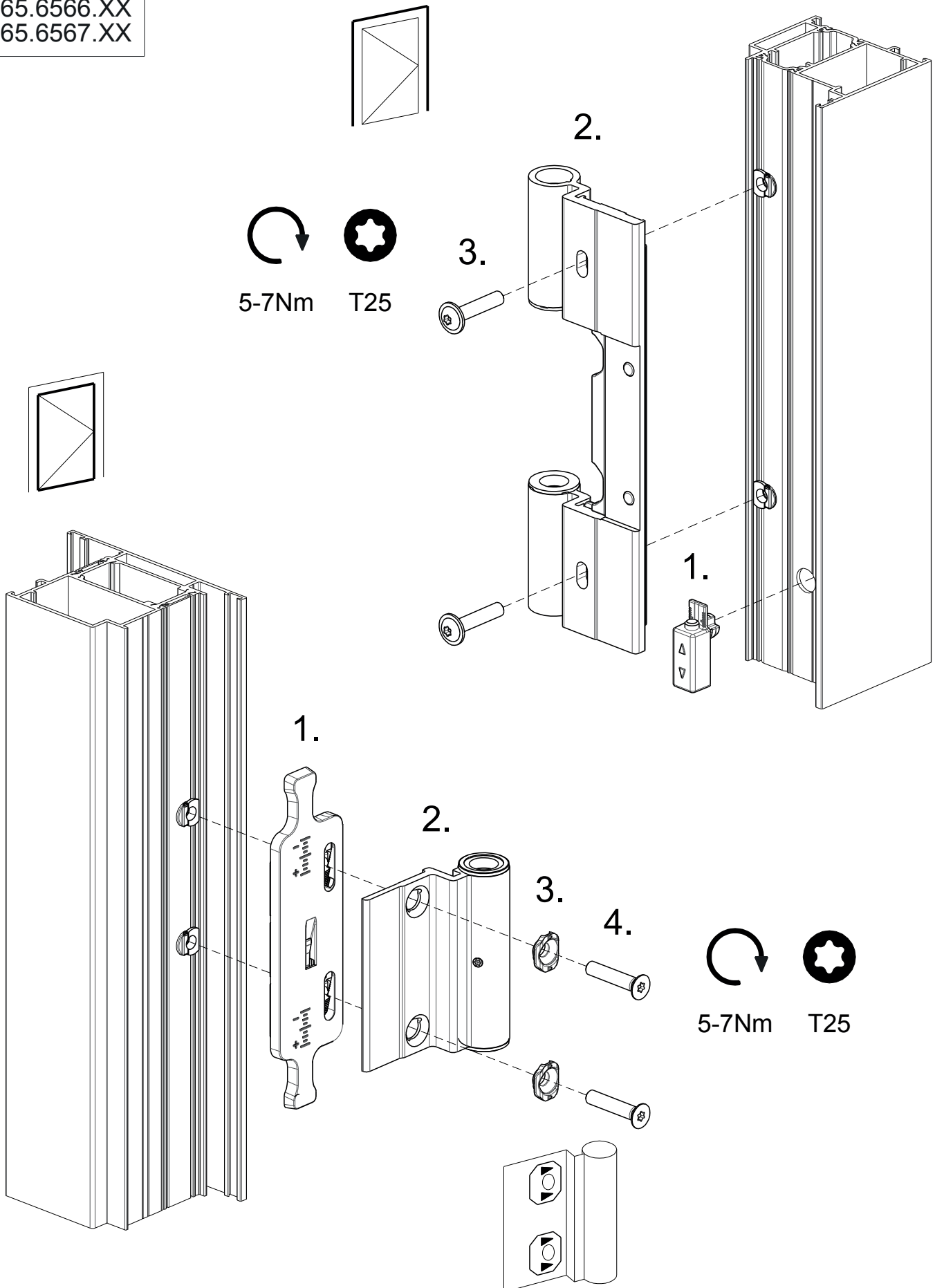
3.



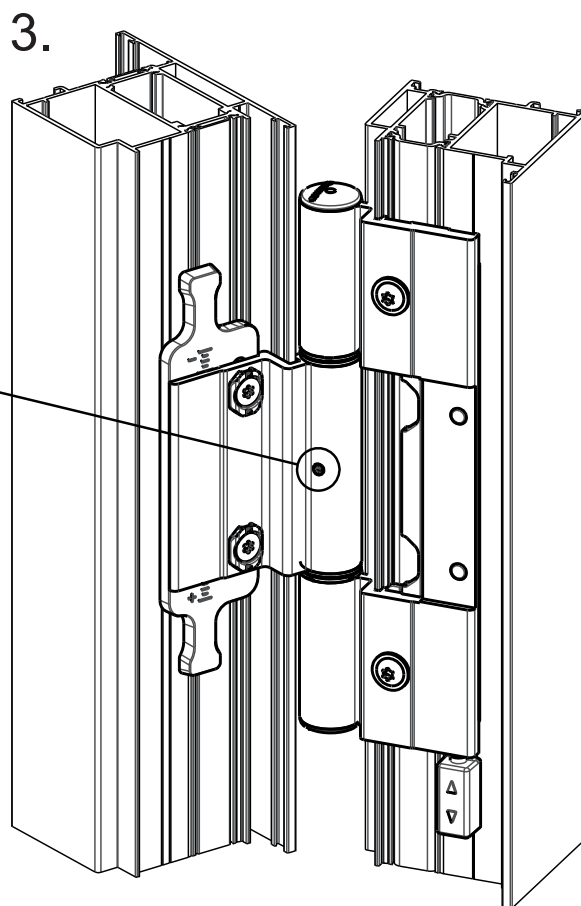
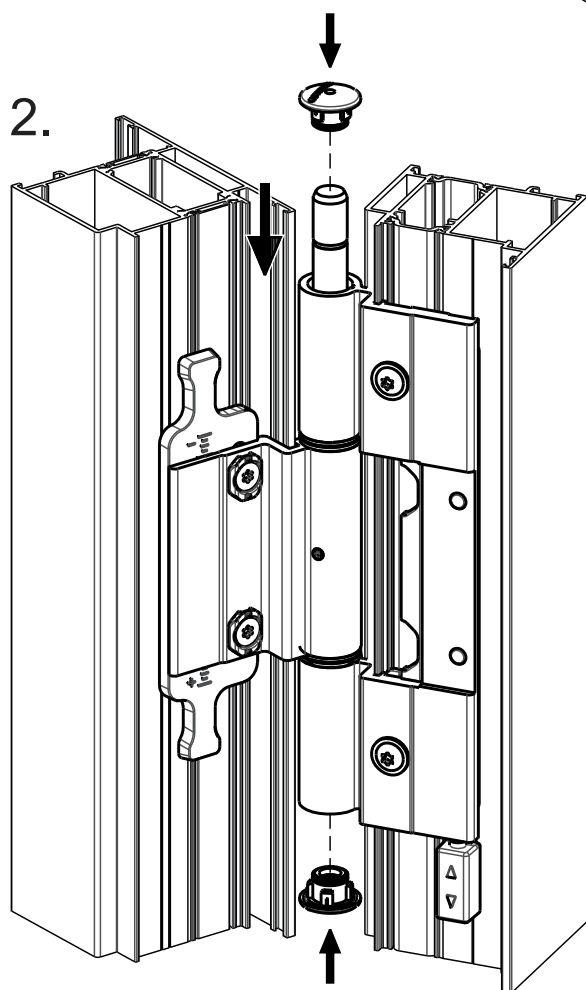
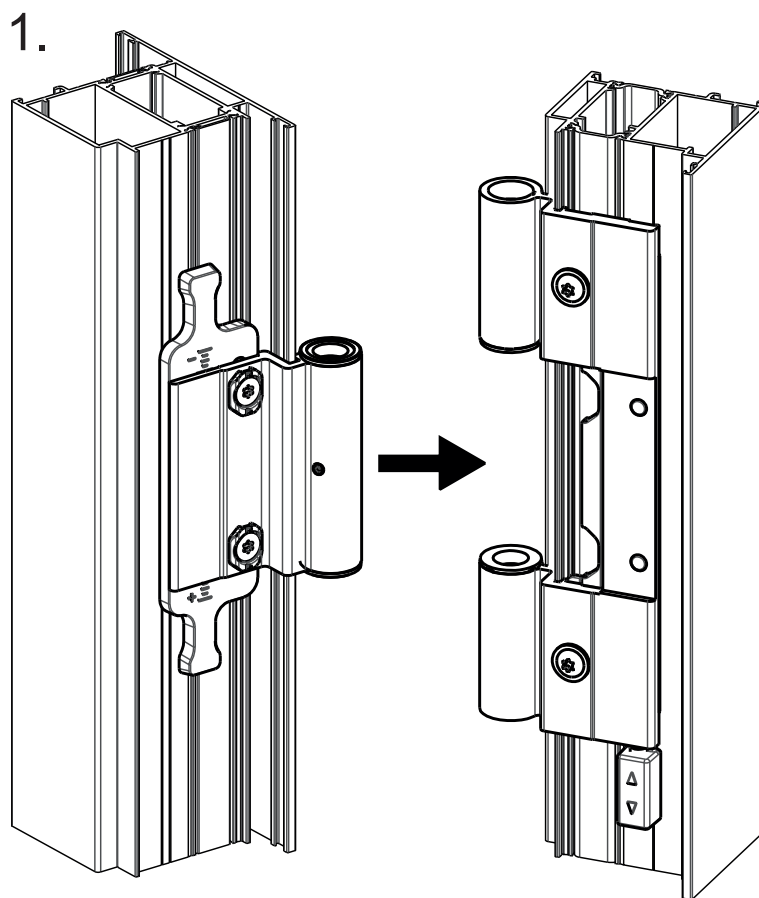
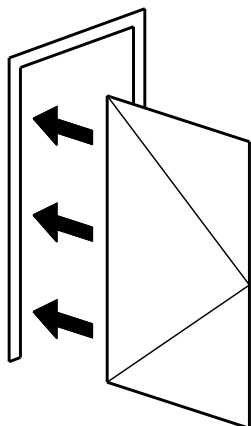
Vleugel: zelfde montage
Vantail: même montage
Vent: same assembly
Flügel: gleiche Montage

Kortste onderdelen in kader
Pièces plus courtes dans le dormant
Shortest parts in frame
Kürzeste Teile im Rahmen

065.6565.XX
065.6566.XX
065.6567.XX

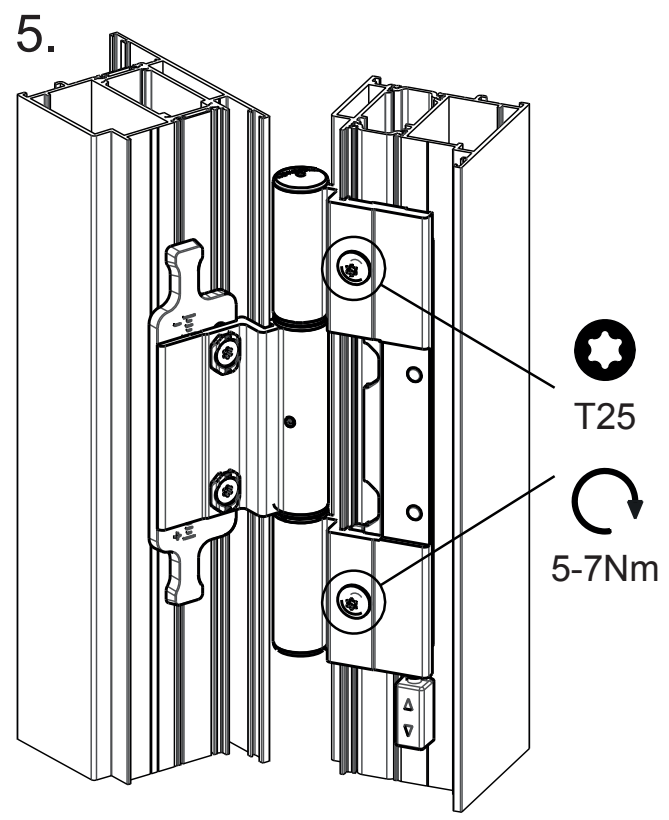
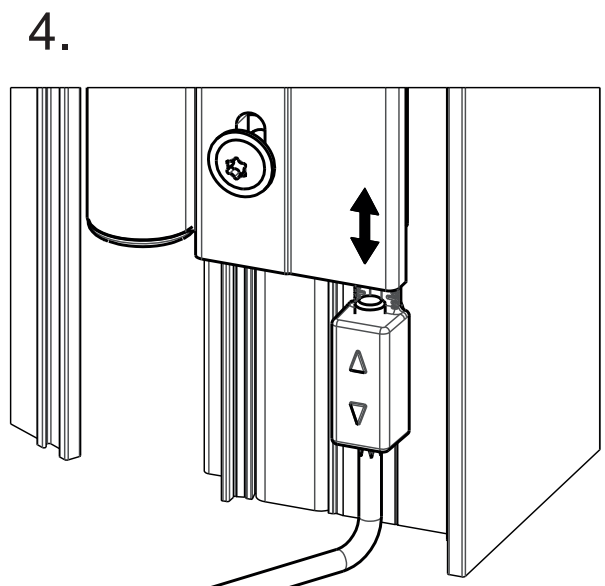
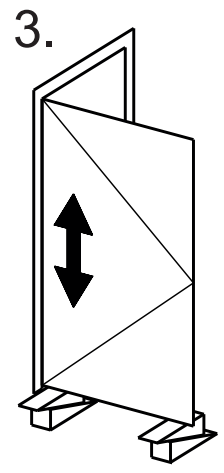
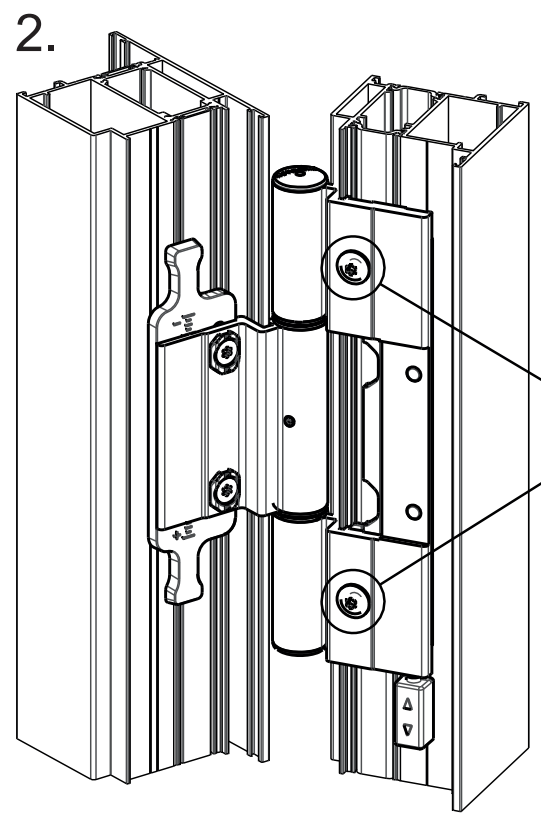
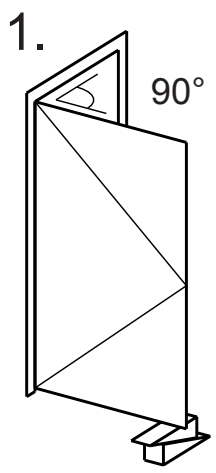
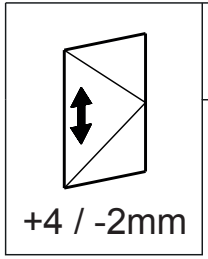


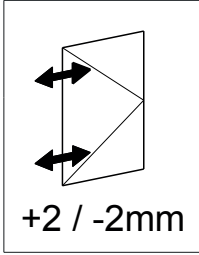
065.6565.XX
065.6566.XX
065.6567.XX



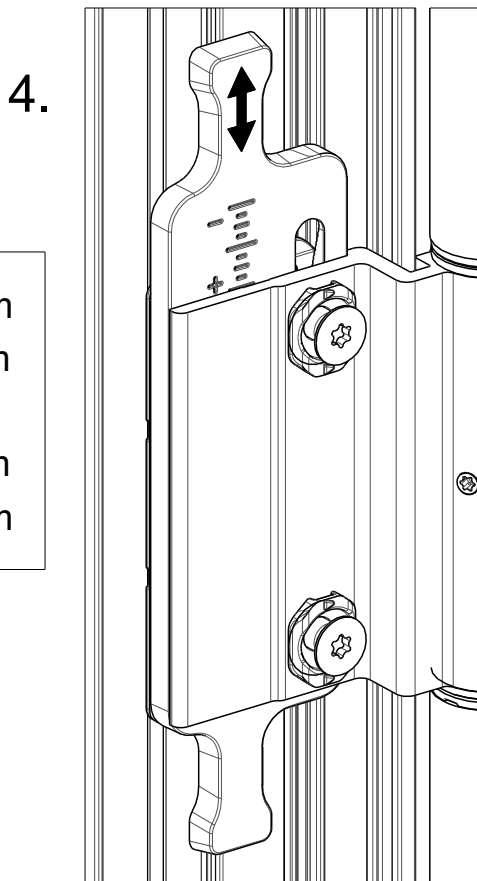
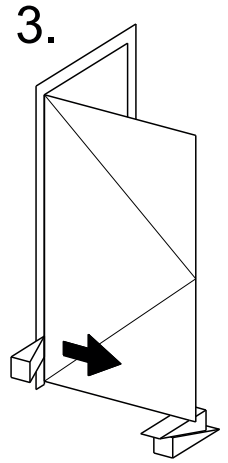
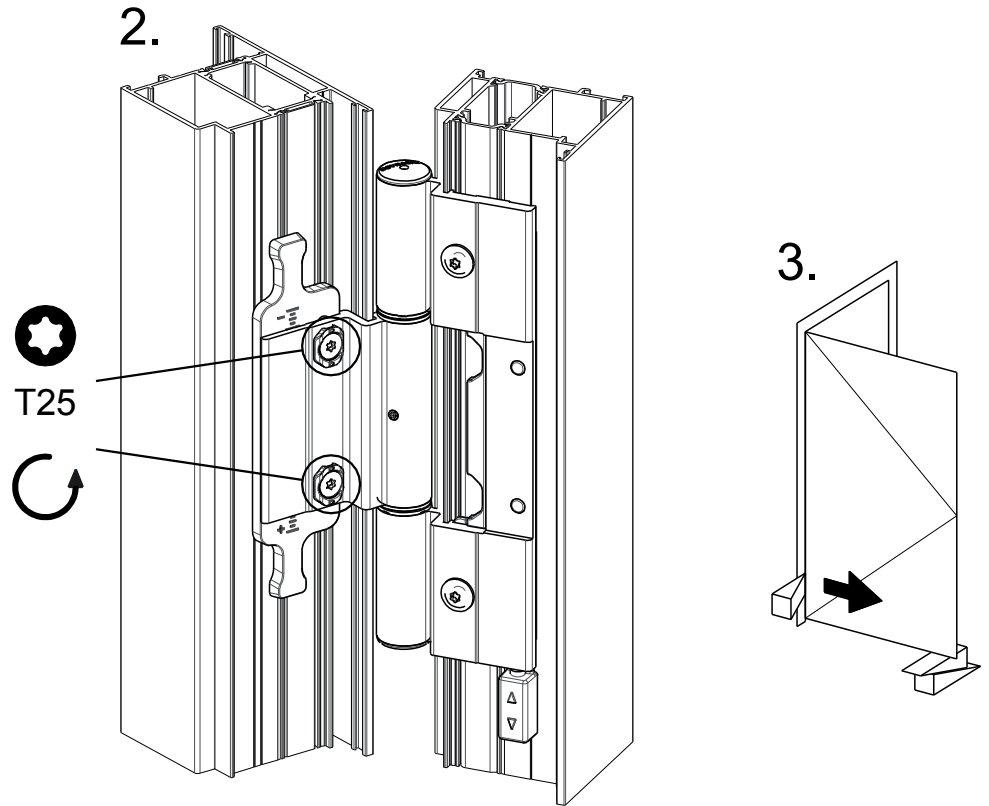
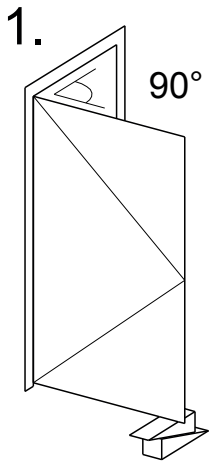
VERSTELLING - RÉGLAGE ADJUSTMENT - EINSTELLUNG

VERTICALE VERSTELLING - RÉGLAGE VERTICAL VERTICAL ADJUSTMENT - VERTIKALE EINSTELLUNG

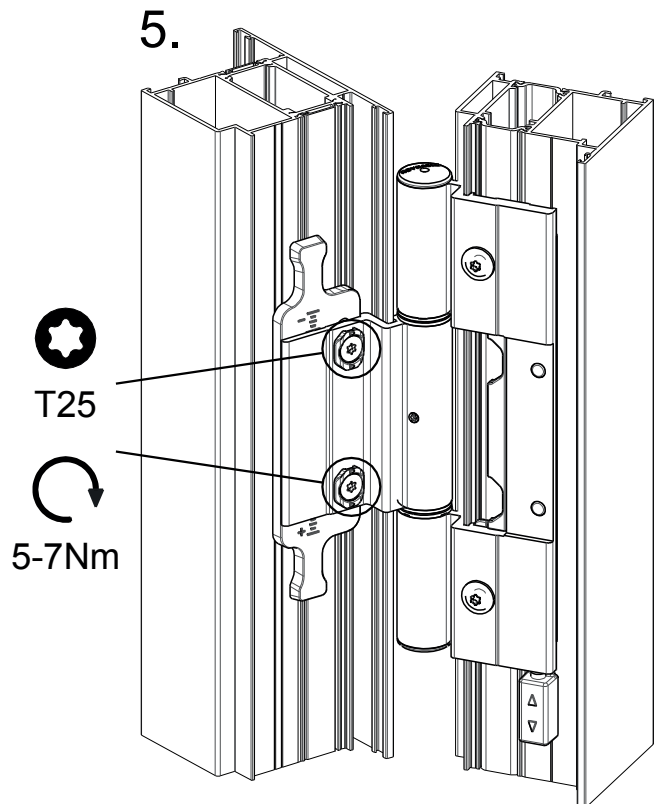




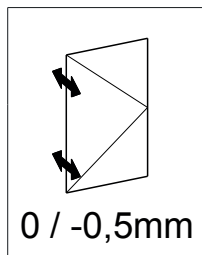
HORIZONTALE VERSTELLING - RÉGLAGE HORIZONTAL
HORIZONTAL ADJUSTMENT - HORIZONTALE EINSTELLUNG



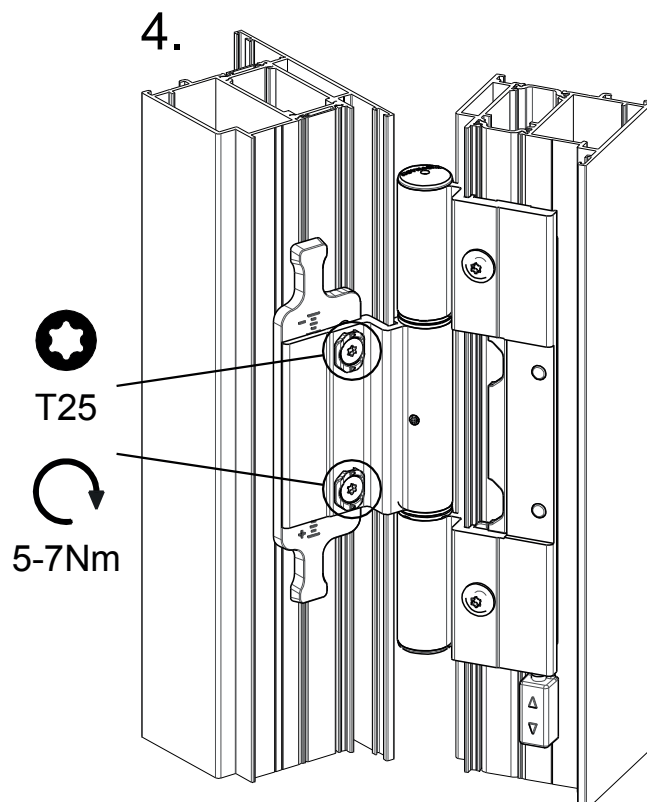
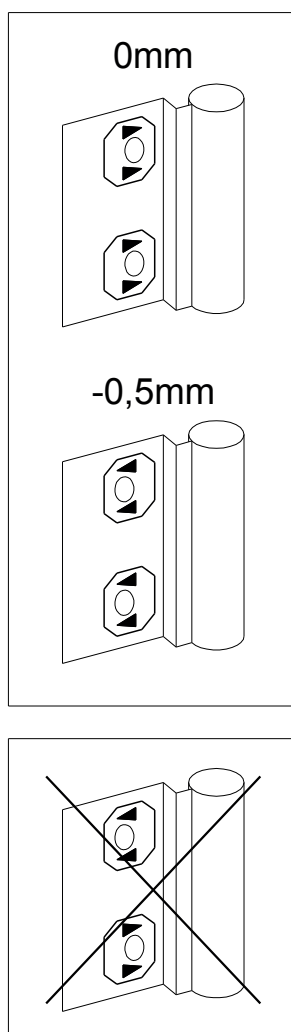
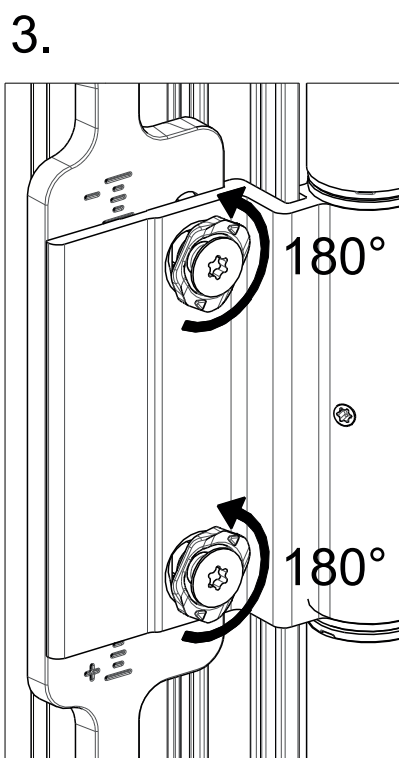
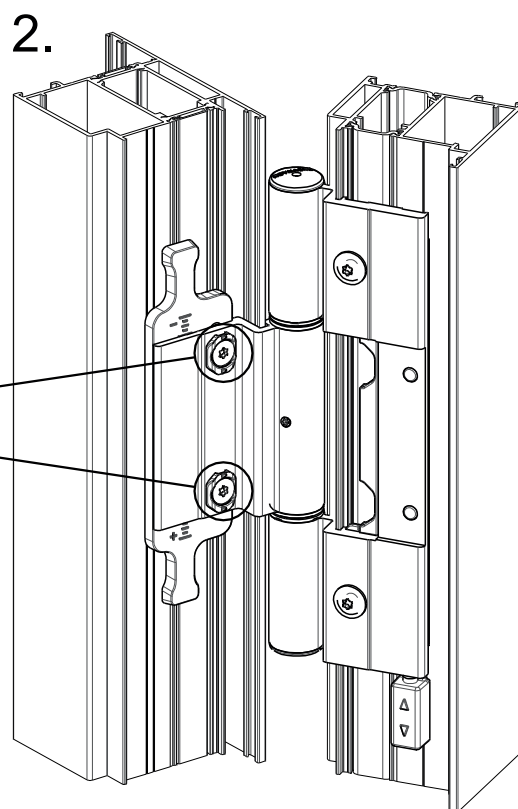
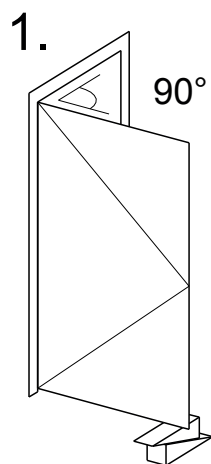
+/-	—	2mm
	-	1mm
	-	0
	-	1mm
-/+	-	2mm



VERSTELLING - RÉGLAGE ADJUSTMENT - EINSTELLUNG



AANDRUKVERSTELLING - RÉGLAGE DE LA COMPRESSION GASKET PRESSURE ADJUSTMENT - ANDRUCKEINSTELLUNG





15

Reynaers Aluminium
 Oude Liersebaan 266
 B-2570 Duffel
 Belgium

065.6565.XX 065.6566.XX 065.6567.XX
 DoP.: Nr. 1309-CPR-0268
 EN 1935 : 2002

Single Axis Roller Hinges for use on locked doors on escape routes,
 to enable such door leaves to move freely once released.

Category of use	Durability	Test door mass	Suitable fire/smoke	Safety	Corrosion resistance	Security	Hinge grade
4	7	7	0	1	4	1	14

Self closing

Initial Frictional Torque

Static Load:

- Load deformation

- Overload

- Shear Strength

Suitability for use on fire/smoke doors

Pass, Grade 14 < 4Nm

Pass, with a displacement under load: Lateral < 2 mm; Vertical < 4mm and a residual displacement after unloading: Lateral and Vertical within Figure G1.

No breakage of any component nor any component nor any cracking visible to normal or corrected vision.

Pass, no breakage of any hinge leaf, knuckle, barrel or pin nor any cracking or deformation visible to normal or corrected vision. The hinged test element remain connected to the frame even when inoperable.

Pass, no breakage or cracking of any hinge leaf, knuckle, barrel or pin, or lateral deformation greater than 3mm.

Max. torque <= 220 Nm up to 95° opening.

No cracks or breaks after 20 cycles.

Npd

Durability

- Durability:

- Durability – after 20 cycles

- Durability – after completion

- Corrosion resistance

Pass, Grade 14 < 4 Nm

Pass, Grade 14 < 4 Nm, Grade 7 =200.000 Cycles.

Lateral and Vertical within Figure G2

Pass, Grade 4: 240 hours

Control of dangerous substances

Pass